

EUP20A-1WMC-1

1-10V Constant Current Dimming Driver



Summary

EUP20A-1WMC-1 is a constant output mode LED driver. The output current can be easily set via DIP switch, and the driver can be adjusted by the external 1-10VDC active signal, PWM signal, or adjustable resistance to achieve the smooth dimming effect.

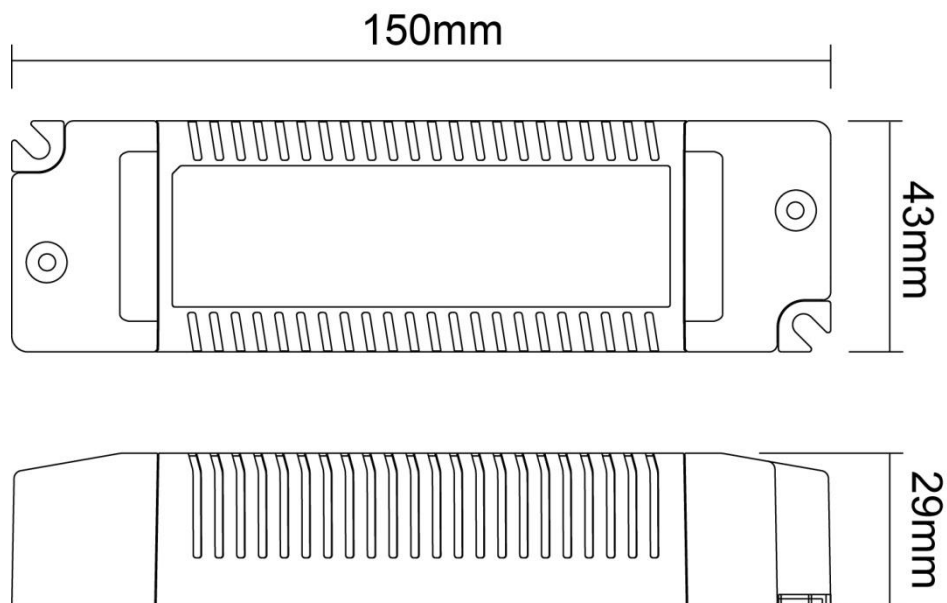
Product Features

- Single channel output, output current level selectable by DIP S.W.
- Support 3-in-1 dimming mode(1-10V active signal, adjustable resistance, PWM)
- Wide range of input voltage 100VAC ~ 240VAC
- Built-in active PFC function
- Class 2 power supply. Full protective plastic housing
- 100% output when no dimming signal input, can be used as normal power supply
- Dimming effect smooth, no flicker
- Protections: Short circuit, over load, over temperature
- Suitable for indoor LED lighting application, such as down light, spotlights, panel light, and so on

Technical Parameters

Model		EUP20A-1WMC-1		
Output	Current	350mA	500mA	700mA
	Voltage	3-40VDC	3-40VDC	3-28VDC
	Power	14W	20W	19.6W
	Current accuracy	±5%		
	No load output voltage	50VDC		
	Output LF current ripple(< 120 Hz)	<3%		
	Channels	1		
Input	Voltage	100– 240VAC		
	Frequency	50/60Hz		
	Current	0.12Amax@230VAC		
	Power factor	>0.95@230VAC,full load		
	Efficiency	83%@230VAC,full load		
	Inrush current	Cold start,15A($t_{width}=22\mu s$ measured at 50% I_{peak}) @230VAC		
Protection	Short circuit	Close output, recovers automatically after fault removed		
	Over load	When the output voltage is exceeded, the output current decreases and, recovers automatically when the load is reduced.		
	Over temperature	Shut down the output, recovers automatically when temp. back to normal.		
Function	Dimming	1-10V active signal, adjustable resistance, PWM		
Others	Dimension	150*43*29 mm (L*W*H)		
	G.W	120g		
	Working temp.	-20°C ~ 50°C		
	Relative humidity	20~90% RH		

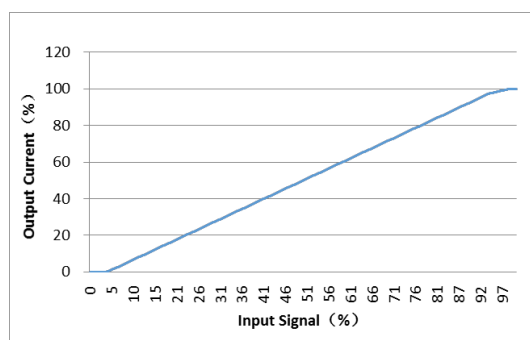
Dimension (mm)



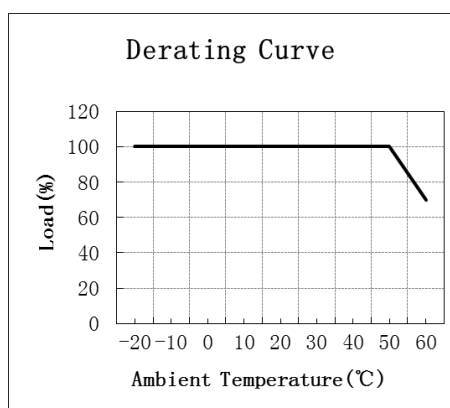
Wiring Diagram



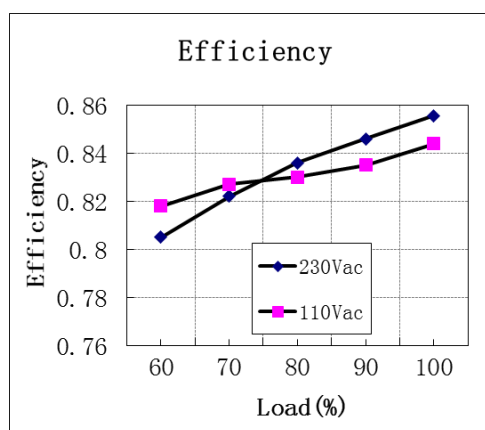
Dimming Curve



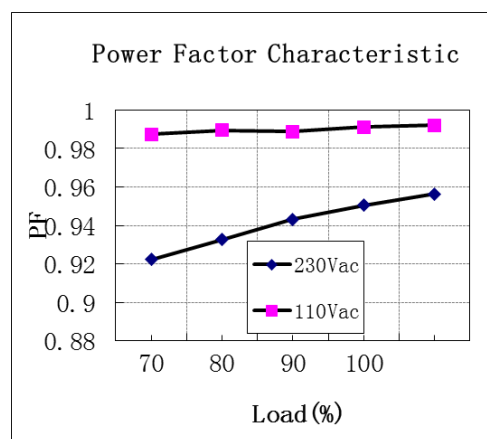
Derating Curve



Efficiency vs load



PF vs load



Current Selection Table

Current	DIP-1	DIP-2
350mA	OFF	OFF
500mA	ON	OFF
700mA	ON	ON

Remark: Function default setting is: 350mA (@switch are all OFF state)

Cautions

1. The product shall be installed and serviced by a qualified person.
2. This product is non-waterproof. Please avoid the sun and rain. When installed outdoors please ensure it is mounted in a water proof enclosure.
3. Good heat dissipation will prolong the working life of the controller. Please ensure good ventilation.
4. Please check if the output voltage and current of any LED power supplies used comply with the requirement of the product.
5. Please ensure that adequate sized cable is used from the controller to the LED lights to carry the current. Please also ensure that the cable is secured tightly in the connector.
6. For safety consideration, PVC or rubber cord of 0.75-2.5mm² is recommended for input and output terminal(s) (excluding signal terminals). Flat power cord is not suitable. Ensure all wire connections and polarities are correct before applying power to avoid any damages to the LED lights.
7. If a fault occurs please return the product to your supplier. Do not attempt to fix this product by yourself.