

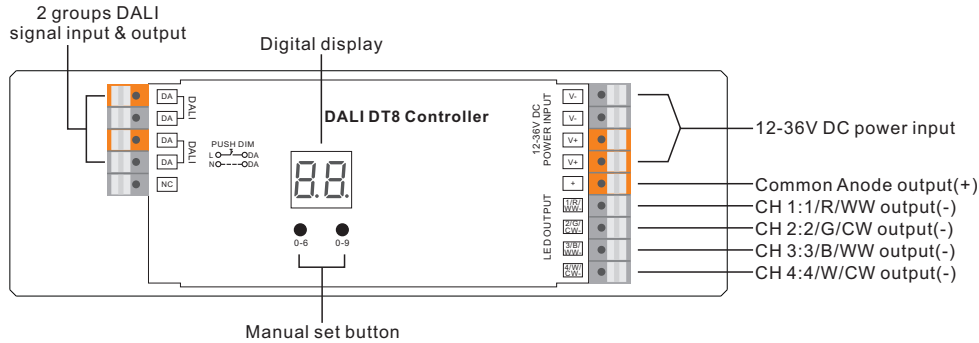
Push Compatible 4 in 1 DALI DT8 LED Controller

70040048



Important: Read All Instructions Prior to Installation

Function introduction



Product Data

No.	Input Voltage	Output Current	Output Power	Remarks	Size(LxWxH)	DALI Consumption	Dimming Range	Ambient Temperature
1	12-36VDC	4x5A	4x(60-180)W	Constant voltage	170x53.4x28mm	2mA	0.1%-100%	-20°C ~ +50°C
2	12-36VDC	4x350mA	4x(4.2-12.6)W	Constant current	170x53.4x28mm	2mA	0.1%-100%	-20°C ~ +50°C
3	12-36VDC	4x700mA	4x(8.4-25.2)W	Constant current	170x53.4x28mm	2mA	0.1%-100%	-20°C ~ +50°C

- In compliance with IEC 62386-101:2014, IEC 62386-102:2014, IEC 62386-207 Ed2, IEC 62386-209:2011
- Built-in DALI-2 interface, DALI DT8 device
- 4 in 1 DALI DT8 LED controller
- 4 universal device types in 1: primary N, Tc, XY coordinate, RGBW, can be set by the buttons
- DALI DT8 device to control RGBW outputs or tunable white outputs via a single DALI address
- Only 1 address required to control 4 outputs separately under primary N mode
- 4 Channels constant voltage or constant current output
- Control of four PWM outputs via DALI device type 8
- Color control as defined in the DALI specification device type 8
- Color type primary N, Tc, XY coordinate, RGBW can be set by manual set buttons
- Supports DT8 device commands, compatible with DALI masters that support DT8 commands
- Configuration via DALI master USB interface
- Numeric digital display for setting DALI address manually
- Compatible with universal AC push switch
- Waterproof grade: IP20

Safety & Warnings

- DO NOT install with power applied to device.
- DO NOT expose the device to moisture.

Operation

1. Select a DALI Device Type



- 1.1. Press and hold down both buttons until digital display flashes, then release the button.
- 1.2. Keep clicking the 2nd button, you will get the 4 device types one by one as follows:

nn, means primary N color type, the device can control 4 channels single color LED separately under this mode.

rg, means RGBW color type, the device can control RGBW LED under this mode.

7c, means Tc color type, the device can control tunable white LED under this mode.

44, means XY coordinate color type, the device can control RGBW LED under this mode.

- 1.3. Select a device type you would like and then press and hold down both buttons until digital display stops flashing to confirm the selection.

2. Setting DALI address



- 2.1. Press and hold down any of the two buttons until numeric digital display flashes, then release the button.
- 2.2. Click any of the two buttons once to select a digit, click again to change the digit until the desired DALI address appears. Click first button to set "tens" position and second button to set "units" position. The address can be set from 00~63.
- 2.3. Then press and hold down any of the 2 buttons until the numeric digital display stops flashing to confirm the setting.

Note: DALI address can be manually assigned from 00-63-FF, by factory defaults, no DALI address is assigned for the dimmer, and the display shows FF. Setting DALI address as FF will reset the dimmer to factory defaults.

3. Once an address is selected, all four channels' address will be the same. For example, if the dimmer is addressed to 22 on the display then CH1, CH2, CH3, CH4 will be the same address 22.

4. DALI Address Assigned by DALI Masters

DALI address can also be assigned by DALI Master controller automatically, please refer to user manuals of compatible DALI Masters for specific operations.

Note: The digital display will show AU When the DALI master is assigning addresses.

5. Push Dimmer Mode

While connected with an AC push switch, the digital display will show "PD" which means Push Dimmer Mode, operations under Push Dimmer Mode are as follows:

While **nn** device type is selected,

- Click the button to switch ON/OFF
- Press and hold down the button to increase or decrease light intensity to desired level and release it, then repeat the operation to adjust light intensity to opposite direction. The dimming range is from 1% to 100%.

While **rg** or **44** device type is selected,

- Click the button to switch ON/OFF
- Press and hold down the button to increase or decrease light intensity to desired level and release it, then repeat the operation to adjust light intensity to opposite direction. The dimming range is from 1% to 100%.
- Double click the button to switch between brightness mode and RGB color mode.
- Press and hold down the button to change RGB colors under RGB color mode.

While **7c** device type is selected,

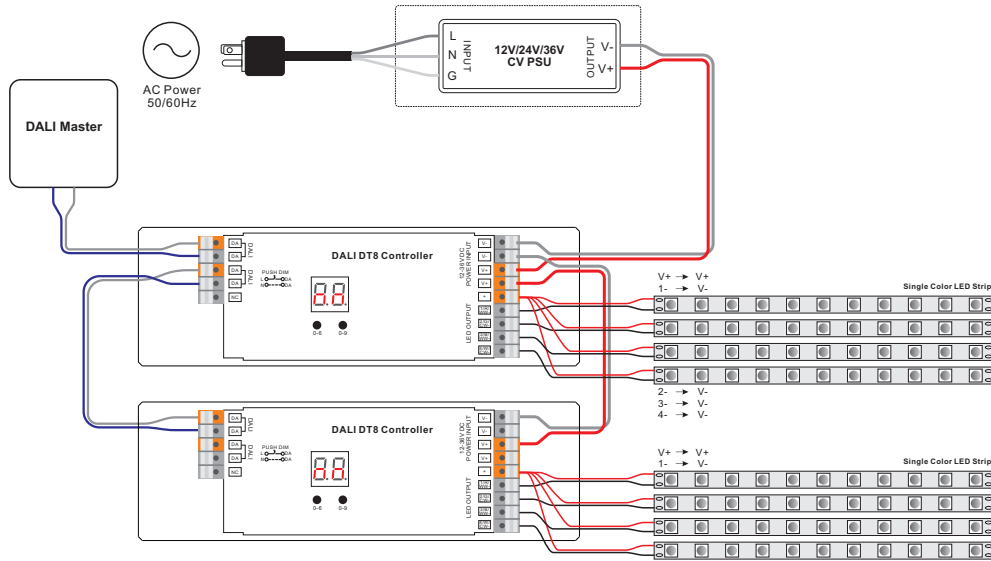
- Click the button to switch ON/OFF
- Press and hold down the button to increase or decrease light intensity to desired level and release it, then repeat the operation to adjust light intensity to opposite direction. The dimming range is from 1% to 100%.
- Double click the button to switch between brightness mode and color temperature mode.
- Press and hold down the button to change color temperature under color temperature mode.

Memory function after power off or power failure enables the device to memorize the status before power off while power on again.

Wiring Diagram

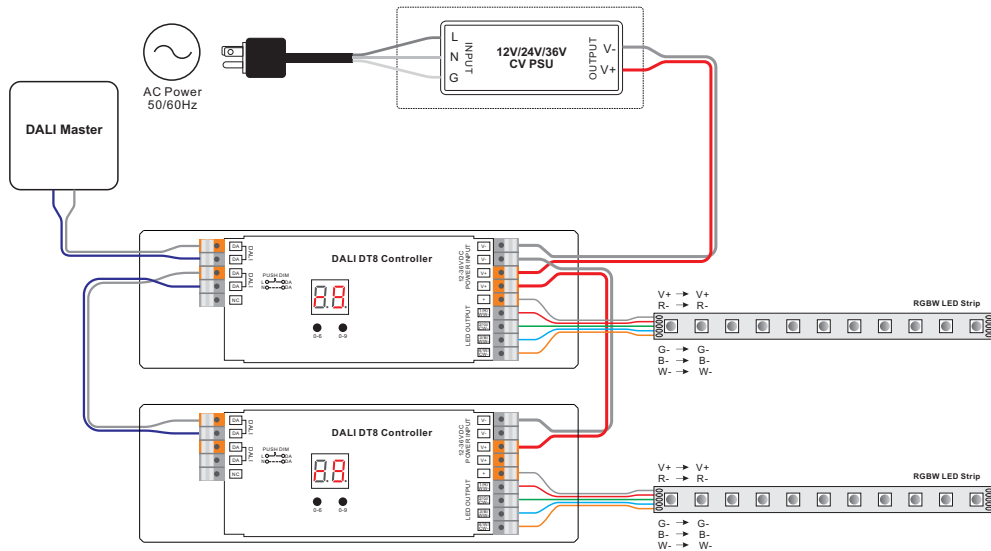
1. With DALI Master

1.1 When primary N color type selected



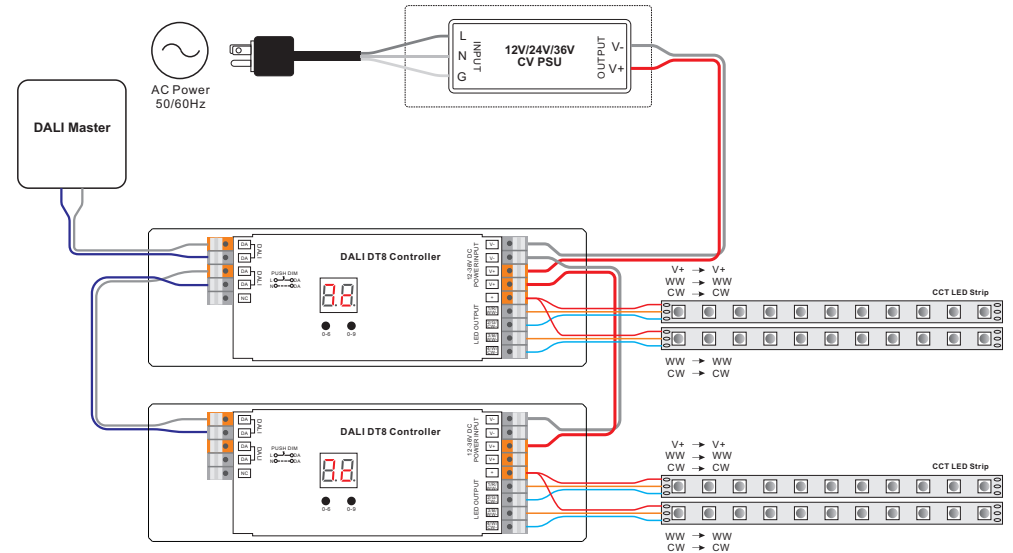
Note: Please make sure that the DALI master controller supports primary N color type commands.

1.2 When RGBW color type selected



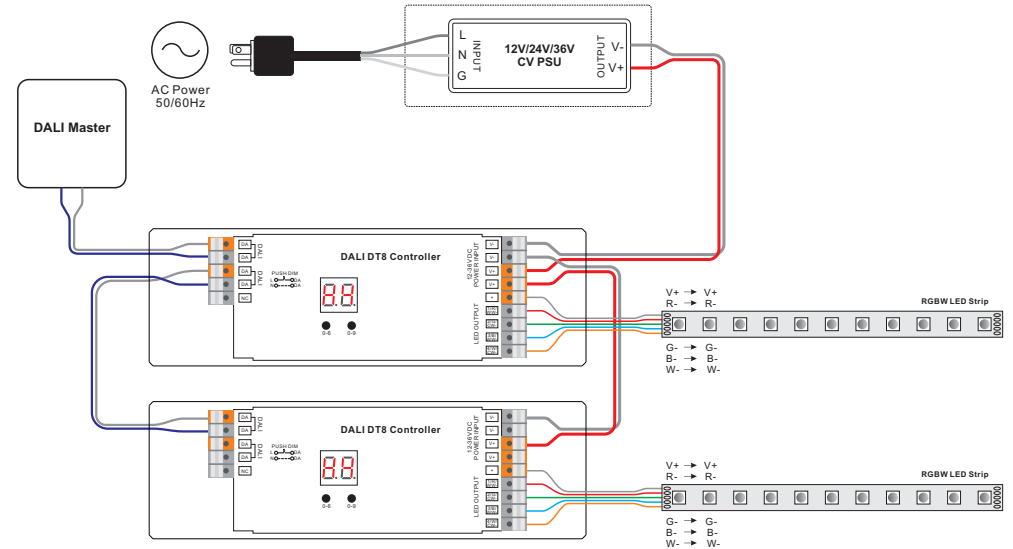
Note: Please make sure that the DALI master controller supports RGBW color type commands.

1.3 When Tc color type selected



Note: Please make sure that the DALI master controller supports Tc color type commands.

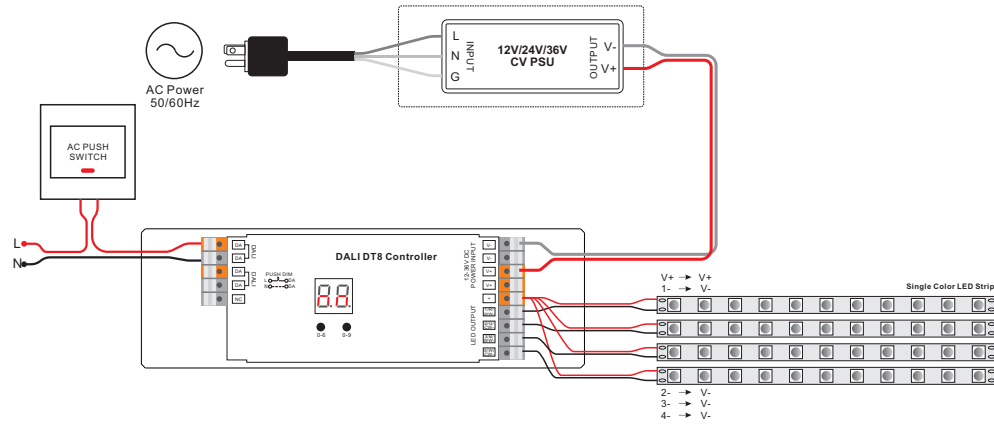
1.4 When XY coordinate color type selected



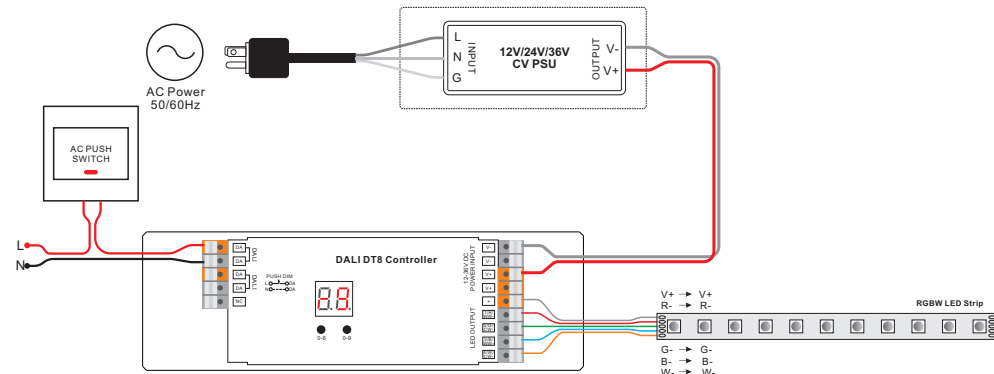
- Note:**
- 1) Please make sure that the DALI master controller supports XY coordinates color type commands.
 - 2) For color type XY coordinates, the 4th W channel can only be controlled together with RGB channels.
 - 3) Only when the coordinate point at the area where R, G, B three colors mix color will W channel turn on.
 - 4) W channel intensity will go up only as R, G, B three colors' intensity goes up simultaneously.
 - 5) W channel intensity will go down only as R, G, B three colors' intensity goes down simultaneously.
 - 6) If controlled by XY type touch panel, use W button on the panel to mix RGB thus turn on 4th channel W.

2. With AC Push

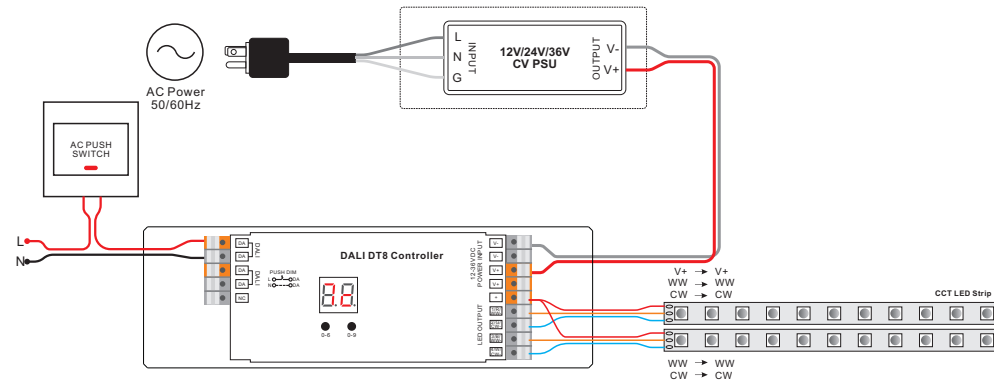
2.1 When primary N color type selected



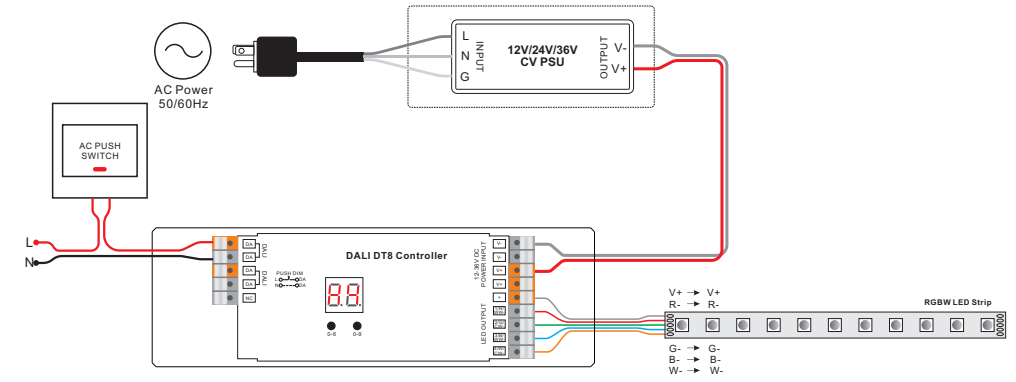
2.2 When RGBW color type selected



2.3 When Tc color type selected



2.4 When XY coordinate color type selected



Conformity & Standards

- Radio Frequency Interference according to EN 55015:2013/A1:2015
- Immunity standard according to EN 61547:2009
- TÜV SÜD marked, CE marked

Product Dimension

