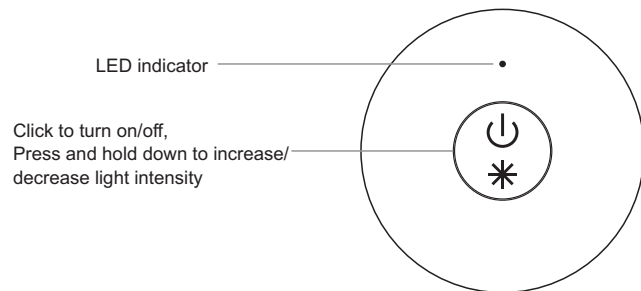


RF Single Color Controller

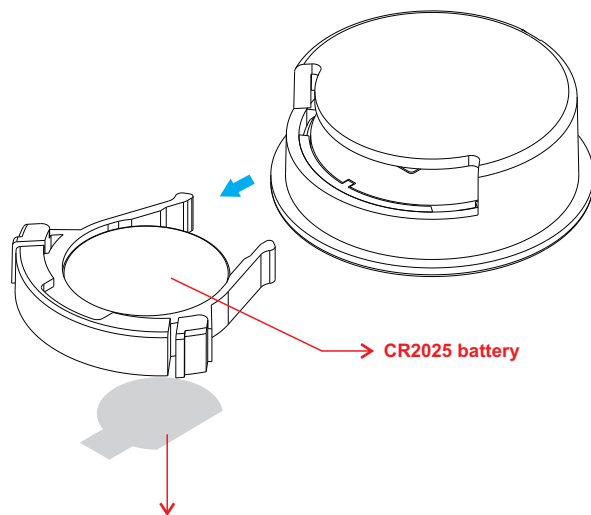


Important: Read All Instructions Prior to Installation

Function introduction



Front side



Note: Before the first use, please remove the protective film on the battery.

09.2833S.04208

Product Data

Output	RF signal
Operation Frequency	868/915/434MHz
Power Supply	3V(CR2025 battery)
Operating temperature	0-40°C
Relative humidity	8% to 80%
Dimensions	Φ38.5x14.8mm


- Control 1 zone
- Single color controller
- Memory Function
- Compatible with all universal series RF receivers
- 1 receiver can be paired by max 8 different remote controls.
- Waterproof grade: IP20

Safety & Warnings

- This device contains a button lithium battery that shall be stored and disposed properly.
- DO NOT expose the device to moisture.

Operation

1. Pair with RF receivers:

Click "Learning Key" → Click  button on RF remote → LED lights connected with the RF receiver will flicker once → The receiver is paired with remote successfully.

2. How to delete the pairing:

Press and hold down "Learning Key" on the receiver for over 3 seconds until connected LED lights flicker twice, which means the pairing is deleted successfully.